

## Small Engine Range - Specifications

2, 3 or 4 cylinders with high inertia flywheel for smooth running at low rpm.

Heater plugs for cold starting below 5°C, fuel filter, **MECHANICAL** fuel lift pump, **MECHANICAL** fuel injection pump and **MECHANICAL** engine governing ensures steadfast performance regardless of ambient conditions.

**QUIET GEAR DRIVEN CAMSHAFT** for maximum engine reliability and reduced servicing, as no timing chains or toothed belts have to be replaced.

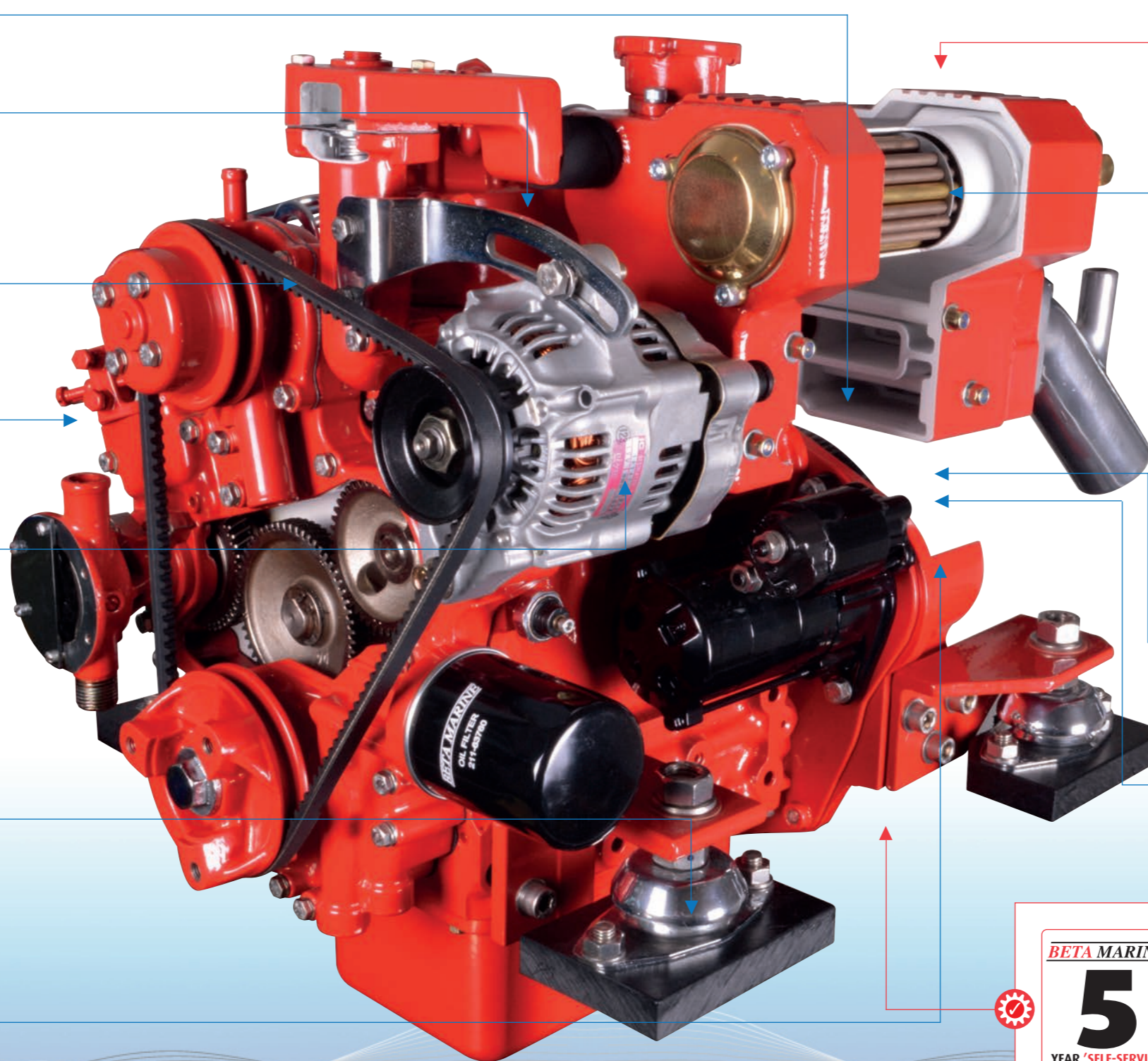
Subject to criteria, Kubota based engines accommodate installation angles up to 15° maximum when static and 25° when heeling.

The Beta 10, 14, 16, 20 & 25 are equipped with a standard 40 Amp alternator, the Beta 30, 35, 38 & 45T are equipped with a standard 70 Amp alternator all are driven by a polyvee belt/pulley and achieve full power at cruising speed. **OPTIONAL OR ADDITIONAL ALTERNATORS** & polyvee belt/pulley drive transmission are available.

Optional special feet service, to ease planning and installation Beta Marine offer 3D computer aided modeling for the design & the manufacture of bespoke feet to allow direct installation on to your vessels existing engine bearers.

Mechanical & hydraulic, in-line, down angle or V drive gearbox options. Output rotation is clockwise in ahead, viewed from the gearbox end.

Cutaway Images Are For Illustration Purposes & Not Necessarily Representative

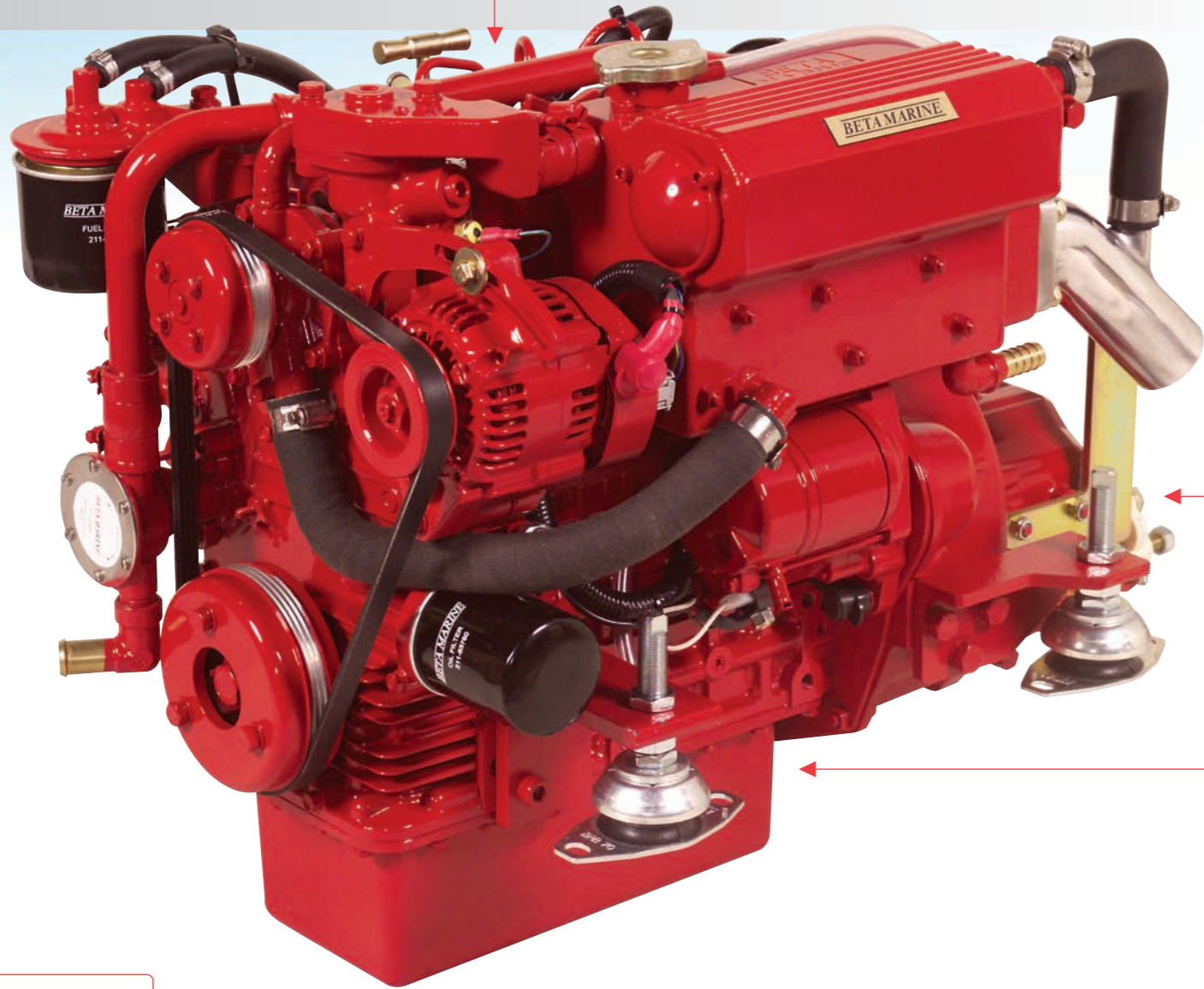


Complete with "ABV" Control Panel & 3m of interconnection cable, "Morse" type engine speed and gearbox control brackets & end fittings. Heavy duty feet and flexible mountings.

- **HEAT EXCHANGER COOLED**, the Beta 10, 14, 16, 20, 25, 30, 35 & 38 are naturally aspirated, whilst the Beta 45T is turbocharged.
- Three vortex combustion with indirect injection for quiet running, low emissions and excellent fuel consumption – Beta 10, 14, 16, 20, 25, 30, 35 & 38.
- ICVS combustion with direct injection for quiet running, low emissions and excellent fuel consumption – Beta 45T.

Subject to installation criteria & registration, Kubota based engine's used for recreational use benefit from a **5 YEAR 'SELF-SERVICE' ENGINE WARRANTY**.

# Beta 25



## Control Panel Options

|            |      |                                |      |
|------------|------|--------------------------------|------|
| A Panel    | Opt. | C Deluxe Panel                 | Opt. |
| ABV Panel  | Std. | CW Deluxe Panel                | Opt. |
| ABVW Panel | Opt. | D Digital Panel                | Opt. |
| B Panel    | Opt. | Flybridge Control - Additional |      |
| BW Panel   | Opt. | C Panel & 6m Connection Cable  | Opt. |

## Electrical Options

|   |      |   |      |
|---|------|---|------|
| 40 Amp, 12 Volt Alternator                      | Std. | 70 Amp, 12 Volt Insulated Return Alternator | Opt. |
| 75 Amp, 12 Volt Alternator in Lieu of Standard  | Opt. | 125 Amp, 12 Volt Split Charging System      | Opt. |
| 120 Amp, 12 Volt Alternator in Lieu of Standard | Opt. |   |      |

## Gearbox Options

|  |      |                                   |      |
|--|------|-----------------------------------|------|
| <b>Bobtail - No Gearbox</b>                        |      | <b>PRM Marine</b>                 |      |
| "Bobtail" Engine with Drive Plate and Housing Only | Std. | PRM60 - Mechanical                | Std. |
|  |      | PRM90 - Mechanical                | Opt. |
|  |      | PRM150 - Hydraulic                | Std. |
| <b>Technodrive / Twin Disc</b>                     |      | <b>ZF</b>                         |      |
| TMC40 - Mechanical                                 | Std. | ZF15MIV - 15° V Drive, Mechanical | Std. |
| TMC60 - Mechanical                                 | Opt. |                                   |      |
| TMC60A - 7° Down Angle, Mechanical                 | Std. |                                   |      |

BETA MARINE

**5**

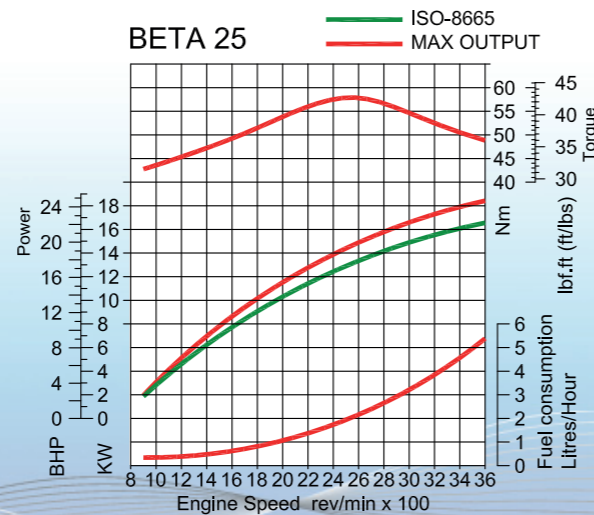
YEAR 'SELF-SERVICE' ENGINE WARRANTY

Recreational use only

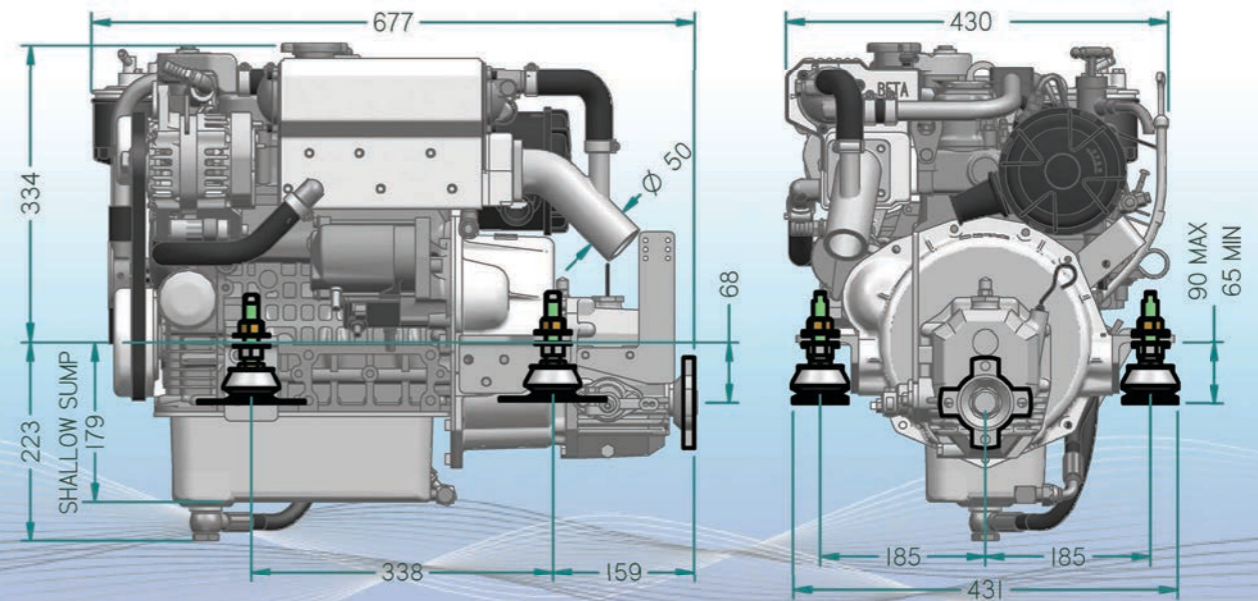
## Kubota Base Engine

|                     |                     |
|---------------------|---------------------|
| <b>Cylinders</b>    | 3                   |
| <b>Displacement</b> | 898cc               |
| <b>Power</b>        | 25hp max @ 3,600rpm |
| <b>Weight</b>       | 113Kg               |
| <b>Propeller</b>    | AIA*                |

A general guidance for propeller size in inches, based upon 3 blade RH rotation and reduction ratio of 2:1. \*For accurate individual advice please provide us with your vessels current full specifications



Based on theoretical propeller loading - matched at full speed



These are typical dimensions: visit our website for all engine / gearbox option drawings or contact Beta Marine direct